



M229 System set

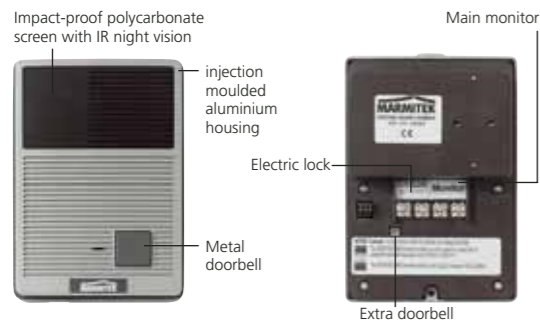
Main Monitor:

Power 100 ~ 250V AC
 Power consumption 15W
 Audio Two-way
 Display 10cm/4" black & white flat-screen
 Resolution 420 lines
 Memory 32 memory positions with date and time display
 Dimensions 235x220x75mm (wxhxl)
 Installation On wall bracket (included)
 Article number UK 09654 (main monitor + door camera EX-229D)
 EU 09640



EX-229H Extra Monitor

Power 100 ~ 250V AC
 Power consumption 10W Audio 2-way
 Display 10cm/4" black & white flat-screen
 Resolution 420 lines
 Memory Via main monitor
 Dimensions 235x220x75mm (wxhxl)
 Installation On wall bracket (included)
 Color Alpine White
 Article number UK 09655
 EU 09642



EX-229D Door Camera

Power From main monitor
 Camera 1/3" CCD Black & White
 Lens F3.6 wide-angle lens with mechanically adjustable viewing area (horizontally)
 Night vision Through built-in IR LEDs
 Wiring 2-wire cable
 Distances 50m with 0.75mm² ~ 100m with 1.00mm²
 Switch contact relay for doorbell Max. 12V/50mA
 Operating temperature -20 / 70°C
 Casing aluminium, splash proof
 Dimensions 100x140x42mm (wxhxl)
 Color titanium
 Article number 09644



EX-229C Ceiling Camera

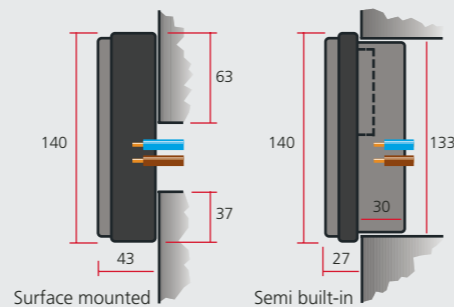
Power From main monitor
 Camera 1/3" CCD Black & white
 Sound Via built-in microphone
 Lens F3.6 wide-angle lens with mechanically adjustable viewing area
 Distances 50m with 0.75mm² ~ 100m with 1.00mm²
 Operating temperature -20 / 70°C
 Dimensions 90x90x90mm
 Mounting Ceiling mount
 Article number 09643



IWB 228/229 Assembly Kit

Housing and frame

Dimensions: 95x133x30mm (wxlxd)
 Mounting holes ø 20mm
 Article number 09416



VIDEO-DOORPHONE

safety starts at your front door



**NOW WITH
 EXTENDED MEMORY
 (32 IMAGES)
 VIDEO-OUT**

two-wire system

Easy to expand

Vandal proof aluminium Camera



22823 / 100305



Easy installation

The Marmitek M229 Set is easy to install: the entire system (image, sound and door lock) uses two wire cable. This makes installation of the system very quick and simple, as the existing wiring of e.g. the door bell can be used. Remove the door bell, attach the door camera and that is it!



Image memory for the latest 32 visitors

Who rang the doorbell?

The standard built-in image memory makes a 'picture' of the last 32 visitors. This means that you, when returning after a period of absence, can check who rang the bell, and at what time. When someone rings the bell, all monitors display an image, even when you decide that you are 'not at home'.



Top quality

The M229 System is not just a door-phone. The system is equipped with a Flat Screen. In combination with the small (horizontally adjustable) camera on the outside unit, this monitor displays a very clear image that will remain crisp for years.



Form and function

The system not only has a very elegant design, it is also easy to use. You only need 3 buttons to activate all the functions. You can look through the photo archive, activate the intercom and open the door remotely. You can connect a TV, VCR or DVD (hard disc) recorder to the Video Output. Extensive features and easy to use.

Standard system



- You need:**
- Complete M229 Set
 - 2-wire cables
 - Assembly kit IWB228/229 for the door camera (optional)

System with door lock



- You need:**
- Complete M229 Set
 - Electronic door lock (any type) (max. 24V/1A with propriety power supply or 12V/300mA powered by outdoor camera)
 - 2-wire cables
 - Assembly kit IWB228/229 for the door camera (optional)

System with extra cameras



- You need:**
- Complete M229 Set
 - Extra door cameras EX229D (optional)
 - Extra ceiling cameras EX229C (optional)
 - 2-wire cables
 - Assembly kit IWB228/229 for the door camera (optional)
 - Max. 4 cameras in total

System with several monitors en cameras



- You need:**
- Complete M229 Set
 - Extra door camera(s) EX229D (optional)
 - Extra ceiling camera(s) EX229C (optional)
 - Extra monitor(s) EX-229H
 - 2-wire cables
 - Assembly kit IWB228/229 for the door camera (optional)

Door lock

The door lock opener can be fitted via the existing 2-wire connection. The opener can then be controlled via the main monitor or the extra monitors. It is also possible to connect it to an existing door bell system.



Vandal proof

The door camera is made from solid aluminium, which means it is virtually indestructible. The camera is not visible to (unwanted) guests. The unit contains IR LED's, which also provides you with a clear image in the dark.



Expanding the system

The set can be easily expanded. You can connect up to 4 cameras to one main monitor. With a ceiling camera it is possible to keep an eye on a guest room or nursery. You can add up to 7 extra monitors, so that you never have to walk far when the doorbell rings. All these additions can be connected by 2-wire cables...



Well thought-out

Newly built houses are occasionally burgled just before completion. To prevent burglaries, the contractor can install the cables and wall brackets long before the houses are completed, so that the costly units only have to be clicked in place.

